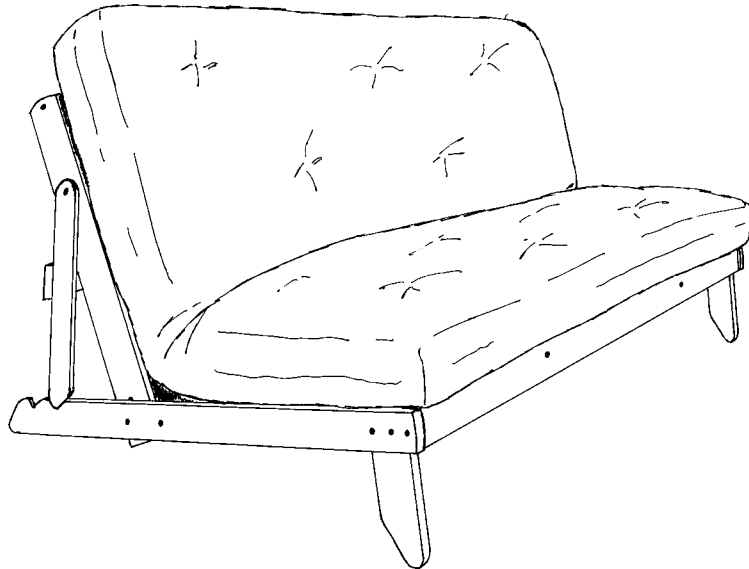


Metro BiFold

8-04

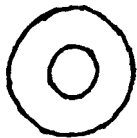
Assembly Instructions

© 2004 Norka Mfg., Inc.

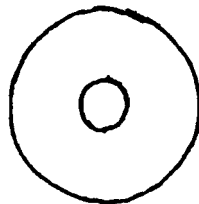


Hardware

Please inspect your hardware kit prior to assembly. If you do not have the indicated number of hardware pieces, please notify the local retailer you purchased the frame from for replacements.



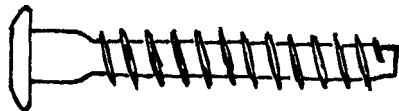
Small Washers (10)



Large Washers (4)



Lock Nuts (10)



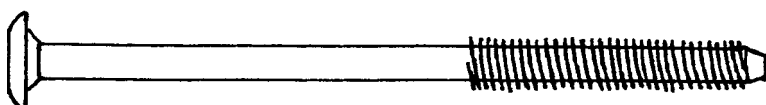
Long Wood Screws (10)



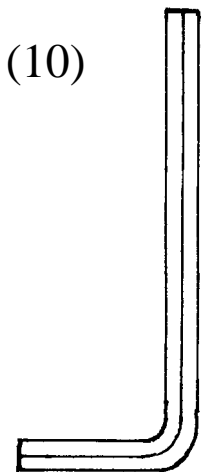
Short Wood Screws (8)



60 mm bolts (8)

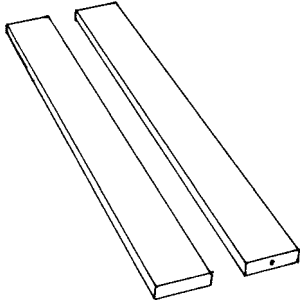


100 mm bolts (2)



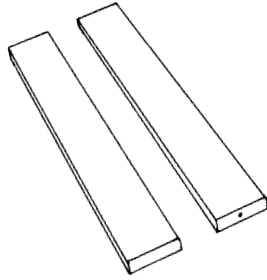
Alen Wrench (1)

Parts



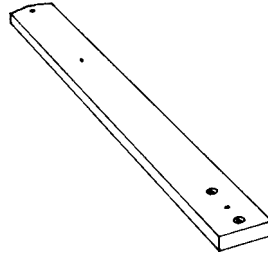
Back Slats (longer)
(11) Full and Queen

Note that two slats will have holes in the end.

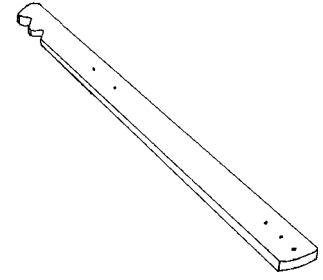


Seat Slats (shorter)
(11) Full and Queen

Note that two slats will have holes in the end.

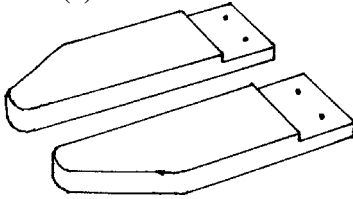


Back Endcaps
(1) Left (1) Right

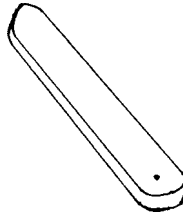


Seat Endcaps (2)

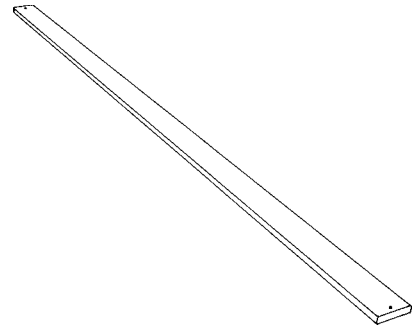
Left Foot (2)



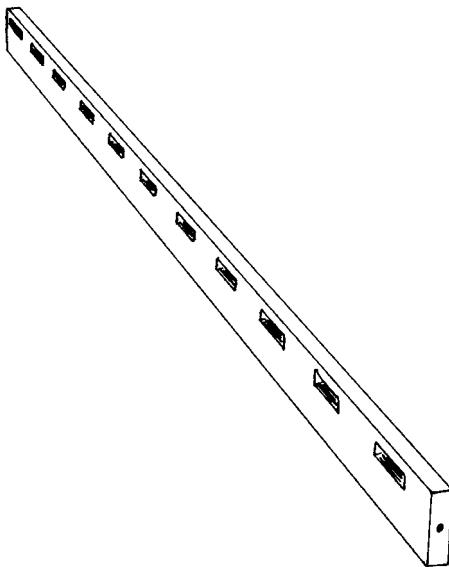
Right Foot (2)



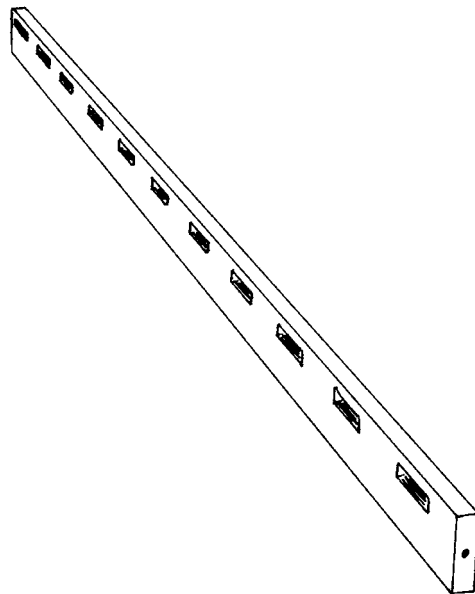
Props (2)



Prop Connector (1)



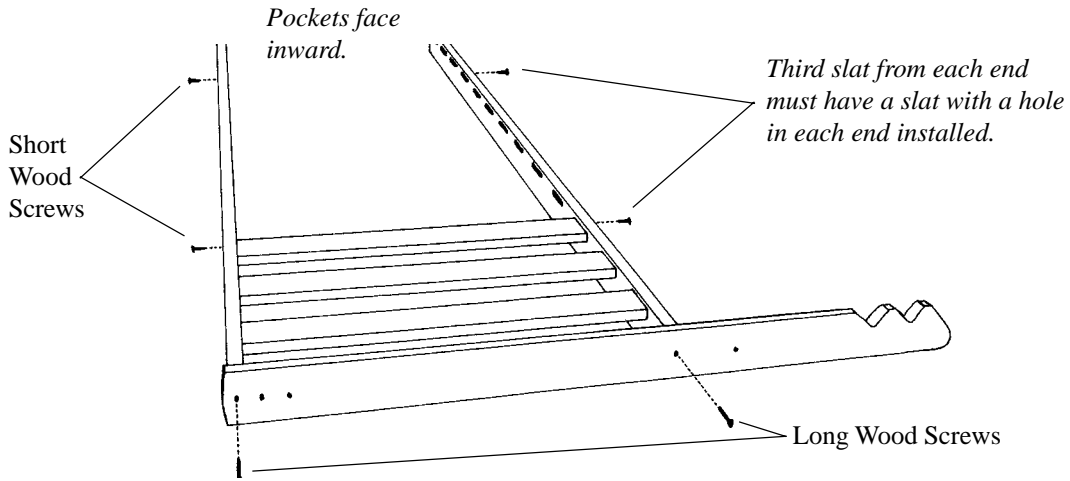
Back Rails (2)
shorter pair



Seat Rails (2)
longer pair

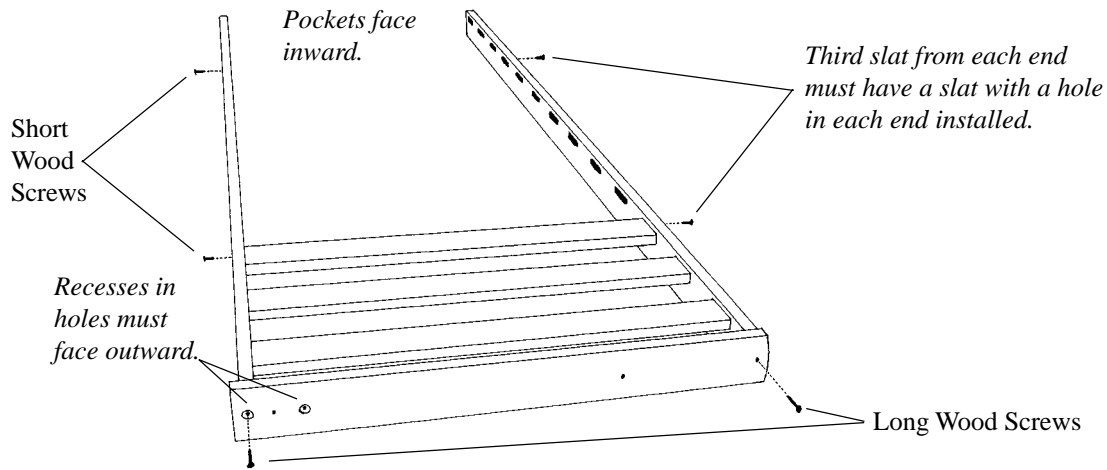
Assemble the Seat Deck

Attach **Seat Rails** (longer of the two pair) to a **Seat Endcap** as shown using two **Long Wood Screws**, leaving both screws loose about 1/2 turn. Carefully insert **Seat Slats** into pockets making sure to install **Seat Slats** with end holes into the third pocket from each end. Attach the opposite **Seat Endcap** like the first and tighten all screws tight. Finally, insert **Short Wood Screws** in both holes of the **Seat Rail** faces and tighten.



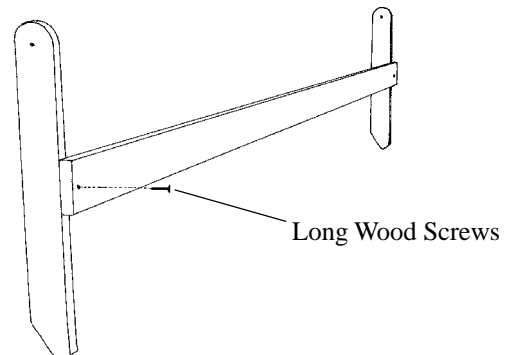
Assemble the Back Deck

Attach **Back Rails** (shorter of the two pair) to the **Back Endcap** as shown using two **Long Wood Screws**, leaving both screws loose about 1/2 turn. Carefully insert **Back Slats** into pockets making sure to install **Back Slats** with end holes into the third pocket from each end. Attach the opposite **Back Endcap** like the first and tighten all screws tight. Finally, insert **Short Wood Screws** in both holes of the **Back Rail** faces and tighten.



Assemble the Prop

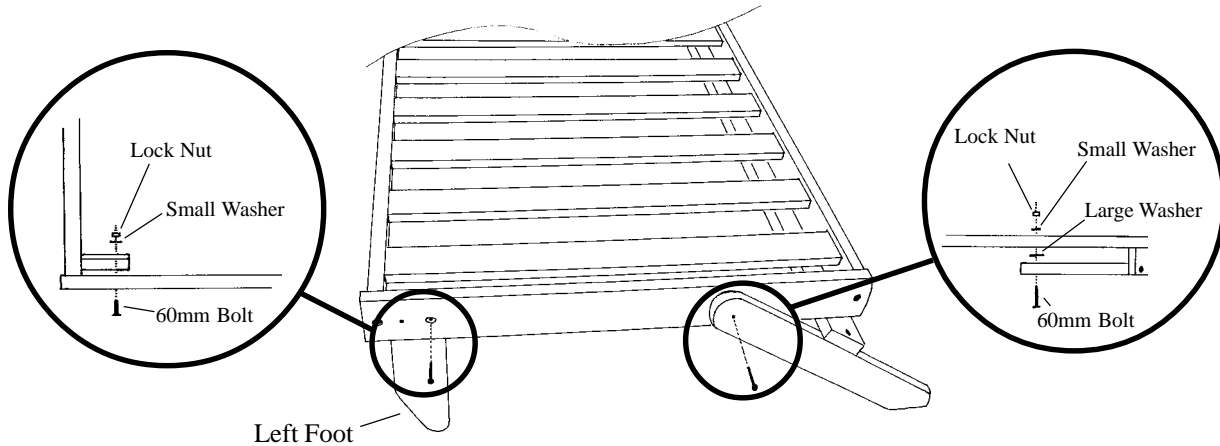
Attach the **Props** to the **Prop Connector** using four **Long Wood Screws** as shown.



Finish the Back Deck

Attach one **Left Foot** to the **Back Deck** using a **60mm Bolt**, **Small Washer**, and **Lock Nut** as shown through the rearmost of the three holes **ONLY**. Make sure the step cut into the foot rests underneath the Back Endcap. Repeat this on the other side using a **Right Foot**.

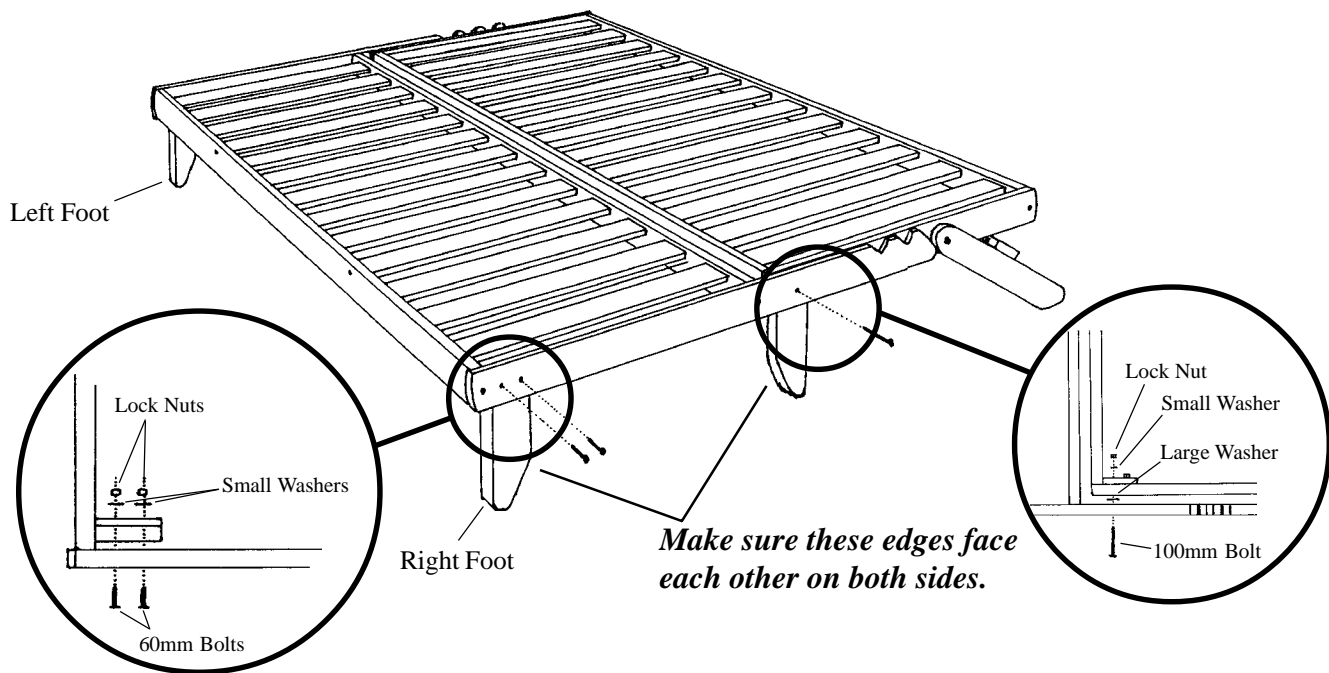
Install the **Prop Assembly** as shown using a **60mm Bolt**, **Large Washer**, **Small Washer** and **Lock Nut** as shown.



Final Assembly

Attach one **Right Foot** to the **Seat Deck** using two **60mm Bolts**, two **Small Washers**, and two **Lock Nuts** as shown. Make sure the step cut into the foot rests underneath the Seat Endcap. Repeat this on the other side using a **Left Foot**.

Attach the **Back Deck** to the **Seat Deck** as shown using **100mm Bolts**, **Large Washers**, and **Small Washers** as shown. Before using your frame, make sure the feet have been installed properly so that the turned edges face each other as shown in the illustration.



Norka Woodworks
143 W. Market St.
Akron, OH 44303