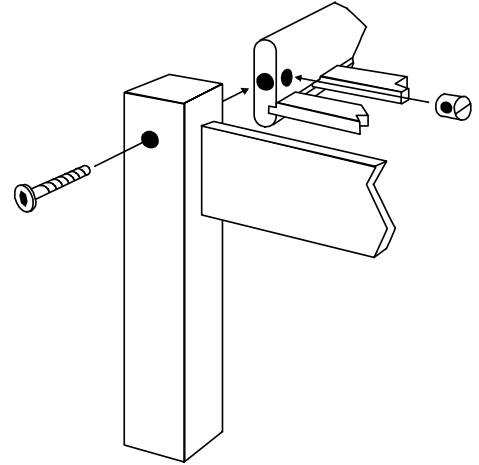


OTTOMAN ASSEMBLY

Parts List	
4	allen bolts
4	barrel nuts
1	allen wrench

To Assemble:

Insert one barrel nut into the hole in each corner of the ottoman deck as shown. Insert a bolt into the holes in each end of both foot sections and tighten snugly.



Norka Woodworks
143 W. Market St.
Akron, OH 44303