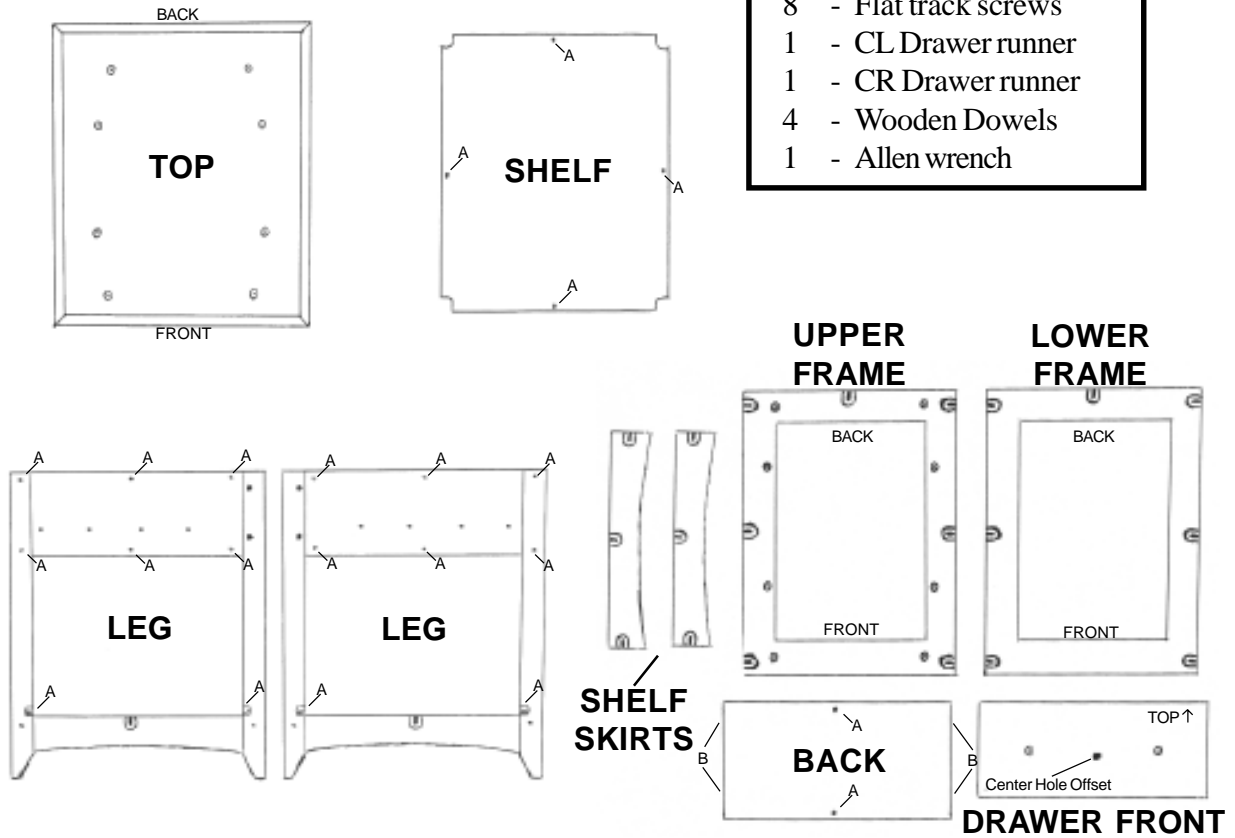


Shaker Side Table

With one drawer

To start assembly please identify all table parts below. You will need a #2 philips screw driver to do most assembly tasks. Most assembly is with cam locks (pre-installed) and cam screws.

Hardware	
10	- 1" allen bolts
22	- Cam Screws
1	- Knob
1	- 1 1/4" Philips screw
8	- Flat track screws
1	- CL Drawer runner
1	- CR Drawer runner
4	- Wooden Dowels
1	- Allen wrench



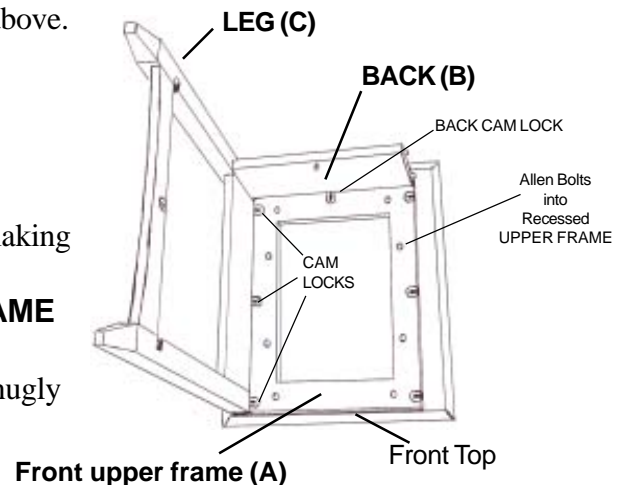
Note: Drawer box is not shown!

Step 1

- (A) Please install 22 cam screws in all locations marked with an "A" above.
- (B) Install 4 dowels into **BACK** section ends marked "B" above.

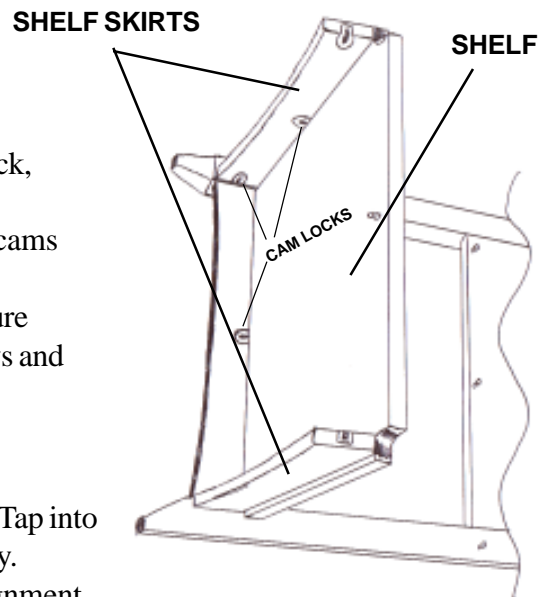
Step 2

- (A) Install **UPPER FRAME** to **TOP** with 8 - allen bolts making sure both fronts are together.
- (B) Install **BACK** by sliding cam screw into **UPPER FRAME** cam lock and with philips turn lock tightly.
- (C) Install **LEG** as shown, tap **LEG** onto **BACK** dowels snugly with all cam screws seated into cam locks, lock tightly.



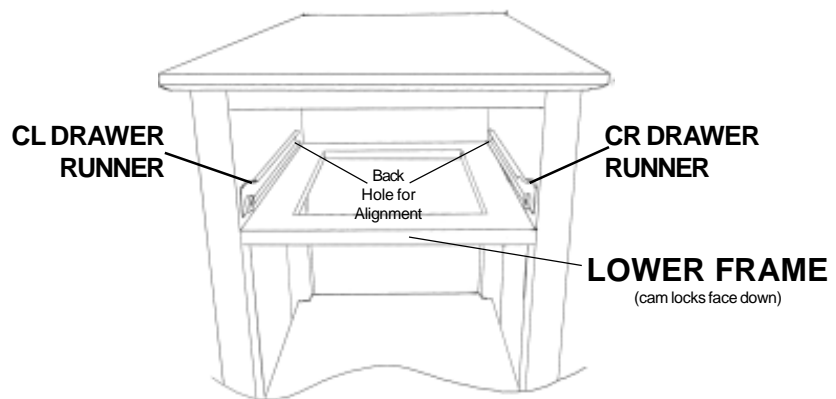
Step 3 Turn table onto side

- (A) Install **SHELF** into **LEG**, when seated into cam lock, tighten.
- (B) Install both **SHELF SKIRTS** as shown and lock cams tight.
- (C) (Not Shown) Install final **LEG** onto table making sure dowels are tapped down snugly and all cam screws and cam locks align and are seated, then tighten.



Step 4

- (A) Install **LOWER FRAME** cam locks facing down. Tap into place. When aligned and seated, lock all cams tightly.
- (B) Install **DRAWER RUNNERS** onto table. For alignment, use back hole on runner and back hole in drawer pocket to install. All four Flat track screws must be fully tightened for proper drawer operation.



Step 5

- (A) Insert drawer box onto track runners.
- (B) Install **DRAWER FRONT** (top side up) with 2 allen bolts. Leave allen bolts loose at this point.
- (C) Install drawer knob with 1 1/4" philips screw.
- (D) The installed **DRAWER FRONT** will need minor adjustment so alignment will be correct. When done, tighten down allen bolts.